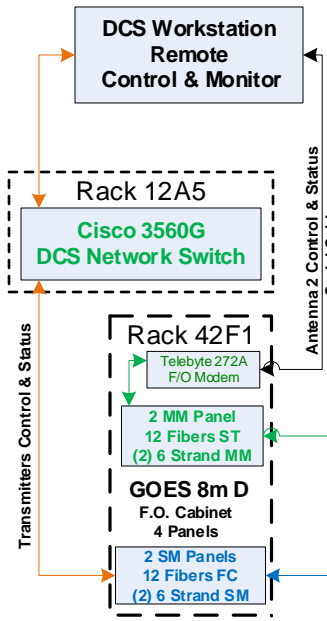


Operations Floor

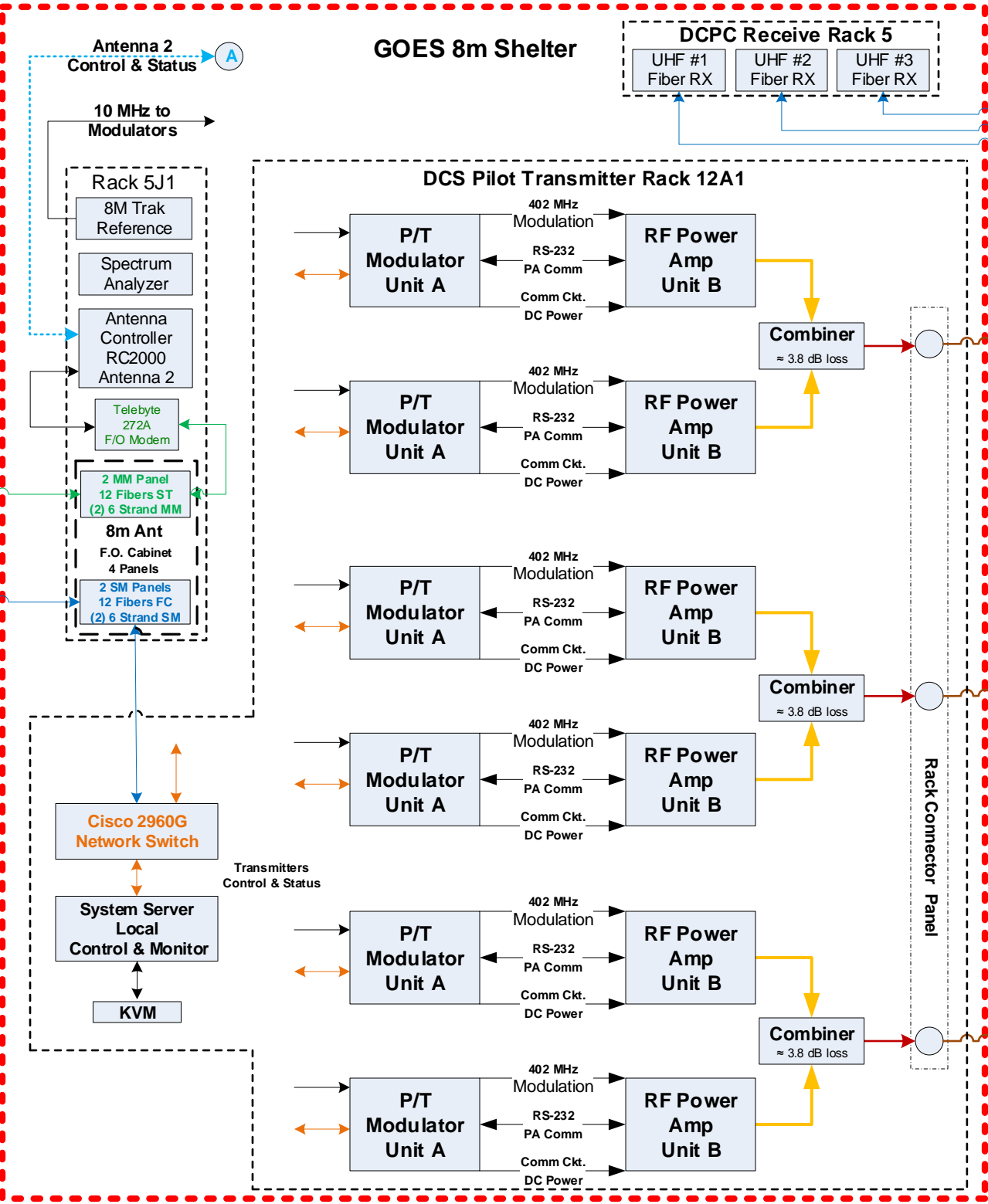


3.8m Antenna Specifications
 RHCP
 Tx Gain ≈ 21.5 dB @ 401 MHz
 Rx Gain ≈ 22.5 dB @ 401 MHz
 3 dB beam width = 13.3°
 LNA gain=25 dB
 Rx input 1dB Compression = -50 dBm

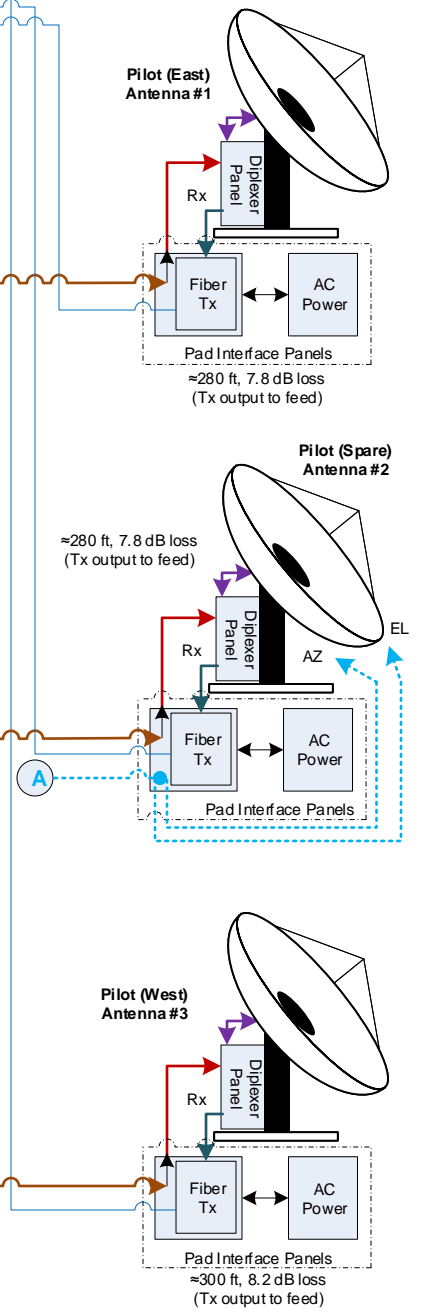
Cables Legend
 Network Connections
 Multi Mode Fiber Cable
 Single Mode Fiber Cable
 Inter-rack Cable - Tx
 LMR 400 Cable - Tx
 Heliac LDF4-50 5/8" Cable - Tx
 Heliac LDF4-50A 1/2" Cable - Tx/Rx
 LMR 240 Cable - Rx
 Antenna Control Cable

Philip Whaley
 Wallops CDAS
 5 April 2018

GOES 8m Shelter



Wallops GOES DCS UHF Antenna System



Rack Connector Panel